



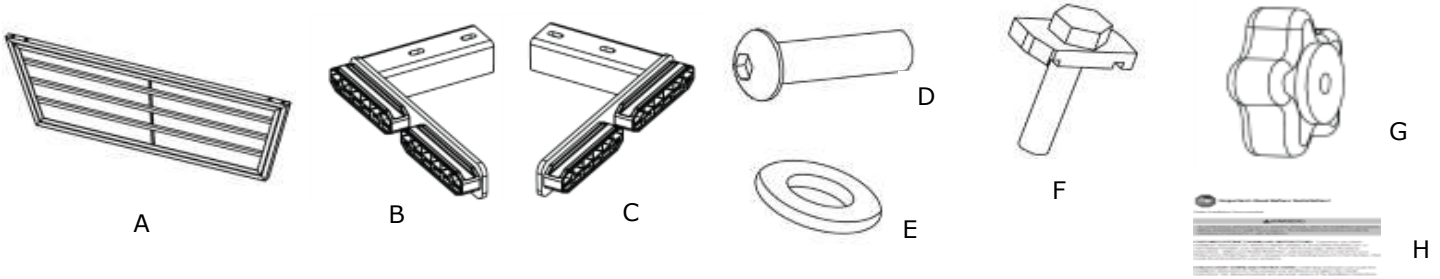
# GENUINE PARTS

## INSTALLATION INSTRUCTIONS

<b>DESCRIPTION:</b>	Bed Divider - Sliding
<b>APPLICATION:</b>	Nissan Titan (2016--->)
<b>PART NUMBER:</b>	Bed Divider - Sliding (999T7 W4300)

### KIT CONTENTS:

Item	Qty.	Part Description
A	1	Bed Divider
B	1	Mounting Bracket
C	1	Mounting Bracket
D	4	Bolt
E	4	Washer
F	2	Anchor Plate
G	2	Knob
H	1	Installation Instructions Replacement Template



### TOOLS REQUIRED:

- Ratchet (3/8" Drive)
- Torque Wrench (Suitable for 44.7Nm or 33ft-lbs)
- 6mm Allen Head Drive
- T30 TORX Wrench (Divider Assembly Bracket)
- Eye Protection
- T40 TORX Wrench (Utilitrack)

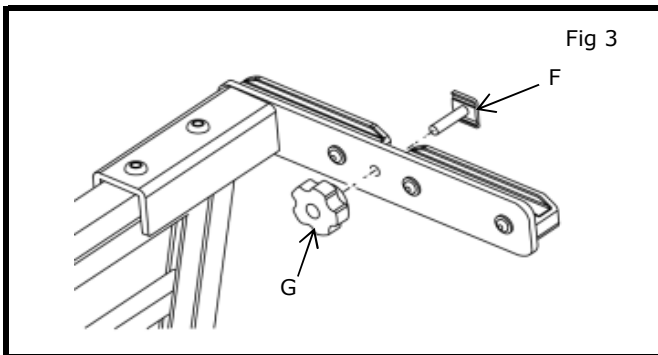
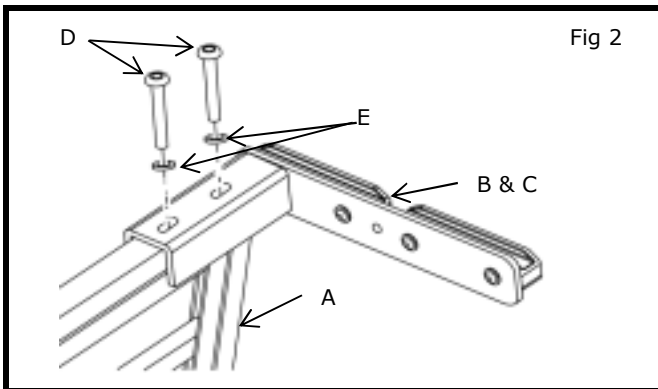
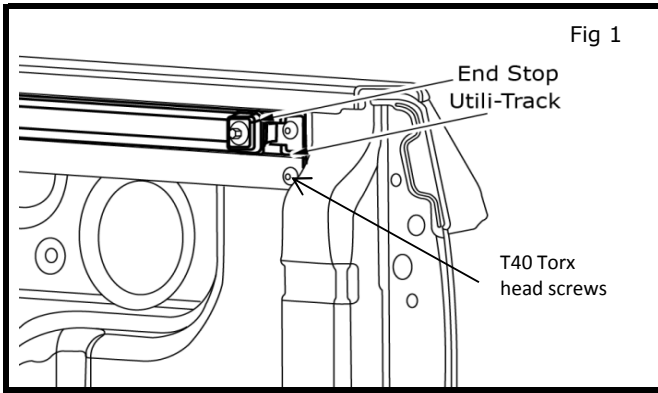
### PRE-INSTALLATION WARNINGS, CAUTIONS, CRITICAL STEPS, and NOTES:

- Dealer Installation Recommended.

### **CAUTION**

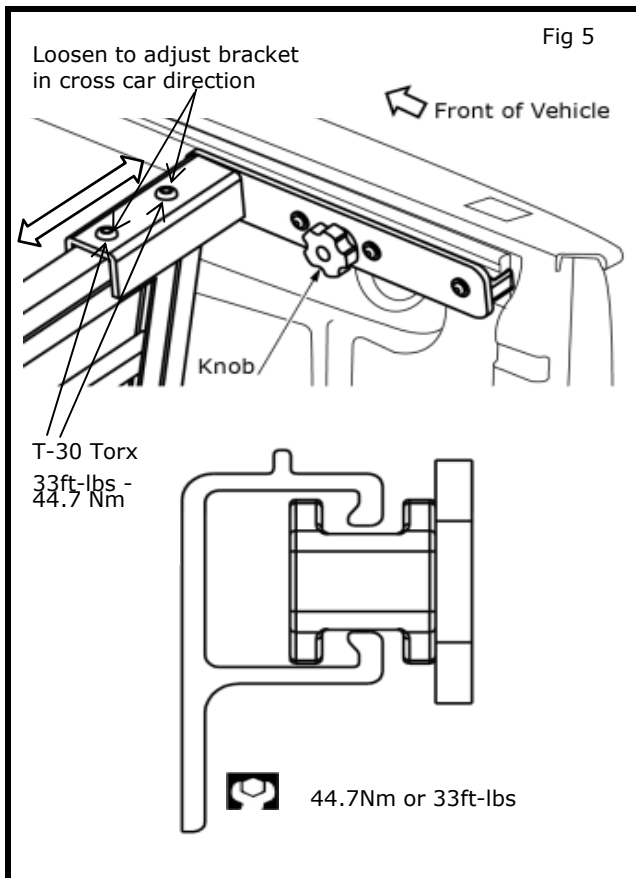
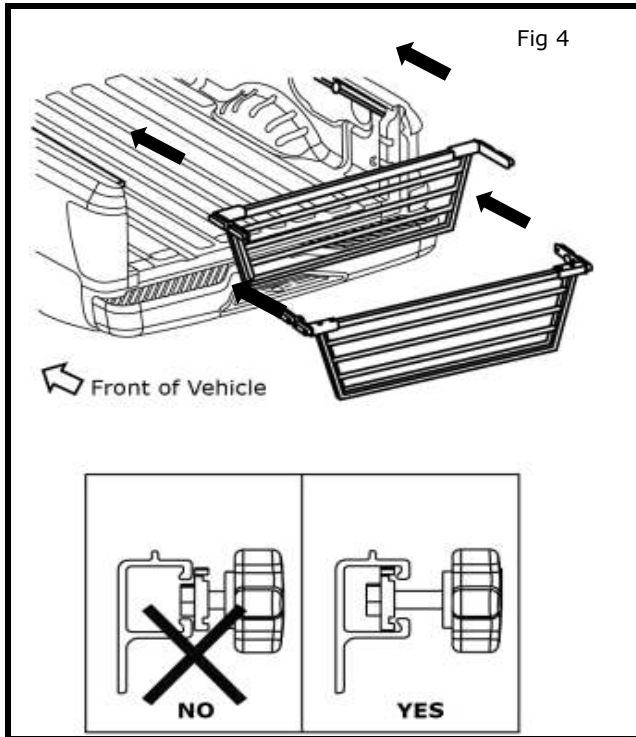
- During the assembly and installation process, be careful not to scratch the surface.
- This part is not designed as a cargo retention device.
- Do not use bed divider to secure cargo.
- Unrestricted items may cause injury in a crash or sudden brake application. Please consult the owner's manual on how to properly secure cargo.

## INSTALLATION PROCEDURE:



- 1) Remove end stops from utili-track.
- 2) Using a T40 torx head loosen last two torx head screws at end of utilitrack. Do not fully remove screws.
- 3) Loosely assemble mounting brackets (b or c) to divider (a) with bolts (d) and washers (e). Do not tighten.
- 4) Loosely assemble knob (g) and anchor plate (f) to each mounting bracket. Do not tighten.
- 5) Repeat for other side.

## INSTALLATION PROCEDURE:



- 6) With tailgate down, slide mounting brackets into utili-track. Be sure anchor plates are inserted into utili-track and not outside of utili-track.

### NOTE:

**Clean inside of utili-track before proceeding.**

- 6) For initial adjustment, align mounting bracket ends with ends of utili-track. Slide mounting brackets out until they are centered as shown in Fig. 5, then tighten. Torque bolts to 44.7Nm or 33ft-lbs.
- 7) Check to ensure divider assembly slides freely from front to rear of bed. If adjustment is required repeat step 6.
- 8) Slide bed divider assembly to desired location and tighten knobs. Turn knobs clockwise and tighten as firmly as possible to secure in position.
- 9) Re-install end stop on utili-track and tighten two torx screws loosened in step 2.